

| | | | | |
|------------------------------------|-----------------------------------|--|---------------------------------------|---------------------------------|
| Алматы (7273)495-231 | Иваново (4932)77-34-06 | Магнитогорск (3519)55-03-13 | Пермь (342)205-81-47 | Тверь (4822)63-31-35 |
| Ангарск (3955)60-70-56 | Ижевск (3412)26-03-58 | Москва (495)268-04-70 | Ростов-на-Дону (863)308-18-15 | Тольятти (8482)63-91-07 |
| Архангельск (8182)63-90-72 | Иркутск (395)279-98-46 | Мурманск (8152)59-64-93 | Рязань (4912)46-61-64 | Томск (3822)98-41-53 |
| Астрахань (8512)99-46-04 | Казань (843)206-01-48 | Набережные Челны (8552)20-53-41 | Самара (846)206-03-16 | Тула (4872)33-79-87 |
| Барнаул (3852)73-04-60 | Калининград (4012)72-03-81 | Нижний Новгород (831)429-08-12 | Саранск (8342)22-96-24 | Тюмень (3452)66-21-18 |
| Белгород (4722)40-23-64 | Калуга (4842)92-23-67 | Новокузнецк (3843)20-46-81 | Санкт-Петербург (812)309-46-40 | Ульяновск (8422)24-23-59 |
| Благовещенск (4162)22-76-07 | Кемерово (3842)65-04-62 | Ноябрьск (3496)41-32-12 | Саратов (845)249-38-78 | Улан-Удэ (3012)59-97-51 |
| Брянск (4832)59-03-52 | Киров (8332)68-02-04 | Новосибирск (383)227-86-73 | Севастополь (8692)22-31-93 | Уфа (347)229-48-12 |
| Владивосток (423)249-28-31 | Коломна (4966)23-41-49 | Омск (3812)21-46-40 | Симферополь (3652)67-13-56 | Хабаровск (4212)92-98-04 |
| Владикавказ (8672)28-90-48 | Кострома (4942)77-07-48 | Орел (4862)44-53-42 | Смоленск (4812)29-41-54 | Чебоксары (8352)28-53-07 |
| Владимир (4922)49-43-18 | Краснодар (861)203-40-90 | Оренбург (3532)37-68-04 | Сочи (862)225-72-31 | Челябинск (351)202-03-61 |
| Волгоград (844)278-03-48 | Красноярск (391)204-63-61 | Пенза (8412)22-31-16 | Ставрополь (8652)20-65-13 | Череповец (8202)49-02-64 |
| Вологда (8172)26-41-59 | Курск (4712)77-13-04 | Петрозаводск (8142)55-98-37 | Сургут (3462)77-98-35 | Чита (3022)38-34-83 |
| Воронеж (473)204-51-73 | Курган (3522)50-90-47 | Псков (8112)59-10-37 | Сыктывкар (8212)25-95-17 | Якутск (4112)23-90-97 |
| Екатеринбург (343)384-55-89 | Липецк (4742)52-20-81 | | Тамбов (4752)50-40-97 | Ярославль (4852)69-52-93 |

Россия +7(495)268-04-70

Казахстан +7(7172)727-132

Киргизия +996(312)96-26-47

www.karlkaps.nt-rt.ru | | ksj@nt-rt.ru

Технические характеристики на стоматологические микроскопы

900-1450

КОМПАНИИ **Karl Kaps**

Kaps 900 Dental Microscope

Cost-effective entry level microscope with integrated LED illumination



The Kaps 900 is a high performance and user-friendly dental microscope. It supported the dentist during his daily work - the perfect entry level model with a sensational price-performance ratio.

Trust in the proven Kaps optics which goes hand in hand with a ultra bright LED illumination.

LED illumination

The high-contrast color temperature of the LED illumination is very similar to the daylight. This and the homogeneous illumination of the field of view contribute to a fatigue-free work. Another advantage is the long service life of 50,000 hours and low power consumption. LED lighting generates little heat and is extremely quiet.

Ergonomics

We have paid particular attention to the **ergonomics**. You always sit in a comfortable and upright, ergonomically correct position and can do your daily work much more relaxed.

Uncompromising Quality

Brilliant Optics

Kaps optics provides crystal clear images and high-resolution details in natural colors (apochromatic optics).

Comfortable Handling

Kaps 900 disposes of a high working and operating comfort. All elements are clean and user-friendly integrated.

Extensive range of accessories

Kaps 900 features a wide range of helpful accessories.

Durability

Kaps 900 is equipped with a high quality metal housing and is characterized by a long service life.

Special color

Perfect integration of the dental microscope in the color scheme of your dental surgery. Karl Kaps offers a wide range of special painting.

Different Stands

Kaps offers different stands for the Kaps 900:

- wall mounting
- ceiling mounting
- compact mobile stand, h-style

Features at a glance

- 5-step magnification changer
- 0-210° inclinable binocular tube $f = 182$ mm
- Objective $f = 250$ mm with fine focusing
- Wide field eyepieces $12.5 \times V$
- Integrated LED illumination, dimmable (life time app. 50,000 hours)
- Space saving stands
- Ergonomic handle



Extensive Range of Accessories



Ergonomics Wedge with Beam Splitter

Ergonomic working even with changing working positions. Neck and spine will be perceptible relieved.

Order no 101-316-000
Order no 101-989-000



Kaps HD Photo Adapter for SONY NEX-5/-6/-7 and Alpha 5000/6000

HD documentation of medical findings with apochromatic optics for brilliant and true color images with amazing detail diversity in full format.

Order no 101-327-000



Kaps-Variflex-100 in compact construction height

Objective lens with a focal length of 220 - 320 mm and objective lens protection is quick and easy substitute and ready for use immediately.

Order no 101-710-000



Lens Protection

Order no 101-663-100



Sterilization Cover for Ergo Handle

Order no 700-826

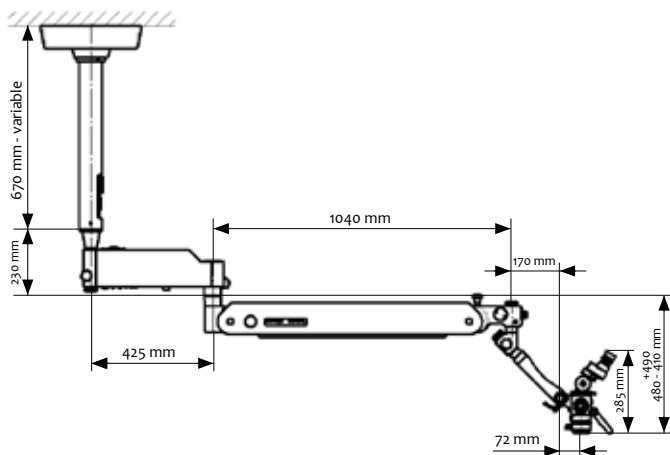


Technical Data

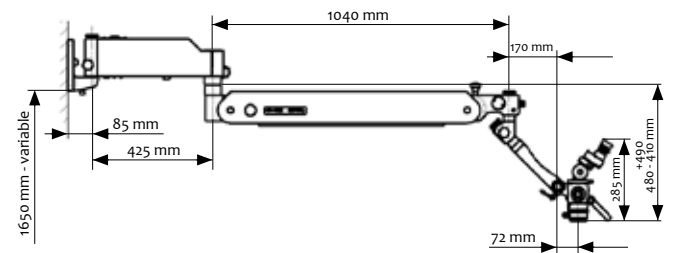
Kaps 900

| | |
|----------------|---|
| Magnification | 5-step apochromatic magnification changer |
| Binocular tube | 0-210° inclinable binocular tube f = 182 mm |
| Eyepiece | Wide field eyepiece 12.5 x V; 10 x V |
| Objective | Objective f = 250 mm with fine focusing Kaps-Variflex-100 f = 220 mm - 320 mm (continuously) |
| Illumination | Integrated LED illumination |

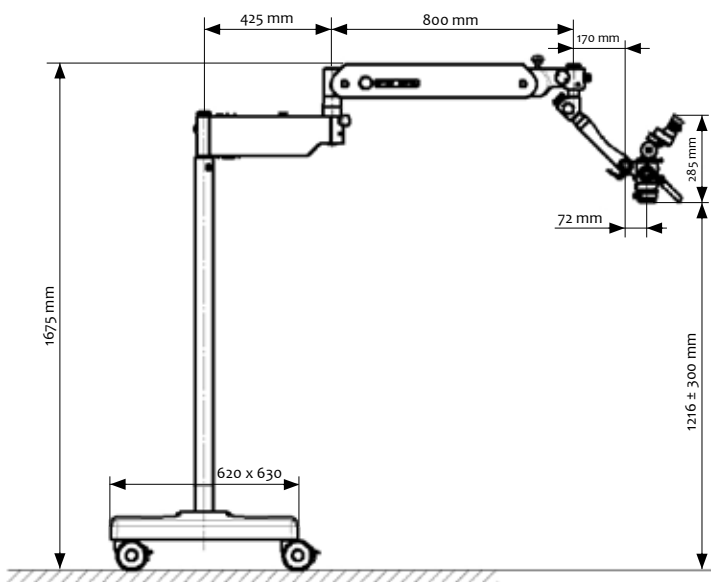
Ceiling mounting



Wall mounting



Mobile Stand



OUR FOCUS IS ON YOUR VISION



Karl Kaps
Dental
Microscopes

Perfect Balance
for your Dental Surgery



Kaps Dental-Microscopes

High-performance and user-friendly

Powerful and user-friendly, Kaps dental microscopes support the dentist in his demanding work, whether in endodontics, implantology, periodontology or restorative dentistry.

The models **Kaps 1100 - 1450** are built in the modular system and offer almost unlimited equipment options.

Individually tailored to your needs, the microscope is optimally prepared for your personal requirements. And should the requirements change, retrofitting the device at any time is quick and easy.

The wide range of accessories also supports you in all treatments and is just as easy and intuitive to operate as the microscope itself.

All versions are available on a mobile stand or for wall or ceiling mounting.

Karl Kaps is a company with more than 70 years of experience in developing and manufacturing medical microscopes. The innovative, long-established company is based in Asslar, Germany, from where it successfully operates in over 70 countries through its very well developed dealer network.



Kaps 1100 with swivel tube and comfort handles

Uncompromising Quality

Features at a glance

Brilliant Optics

- Crystal-clear images and high-resolution details
- Natural colors (apochromatic optics)
- Whether progressively with a changer system or continuous with a zoom system, the microscopes provide a general overview at low magnification as well as clear detail recognition at higher magnification.

Ultra-Bright LED Illumination

The LED lighting enables a glimpse into areas that are normally difficult to access.

- The high illuminance, the significantly better contrast and the color temperature in daylight quality make it possible to work fatigue-proof.
- The lighting system is highly energy-efficient. The high lifetime of modern LEDs also guarantees lower operating costs.

Balancing System

Using the balancing system, the Kaps dental microscope can be adjusted smoothly and precisely to any position you require, even when adapted accessories are used.

Free Motion Magnetic Brake System

Release the brakes by pressing a button and move the microscope without any effort. When you have reached the new working position, release the button and the position is fixed.

Comfortable Handling

Kaps dental microscopes have a great working and operating comfort. All elements are optically clean and user-friendly integrated.

Ergonomic Design

Working with the Kaps dental microscope is always done in a comfortable and upright, ergonomically correct position. Even with long treatment times, successful neck and back pain is prevented.

Accessories and Upgrade

Kaps dental microscopes have an extensive range of accessories - tailored to your personal needs.

With the additional photo and video adapters, Kaps dental microscopes can be retrofitted quickly and easily.

Thanks to the modular system, the Kaps 1100 dental microscope can easily be upgraded to a Kaps 1450 - in a simple, quick and easy way.

Color your Scope

Perfect integration of the dental microscope into the color concept of your dental practice. Karl Kaps offers a wide color palette of special finishes. (on request)

Durability

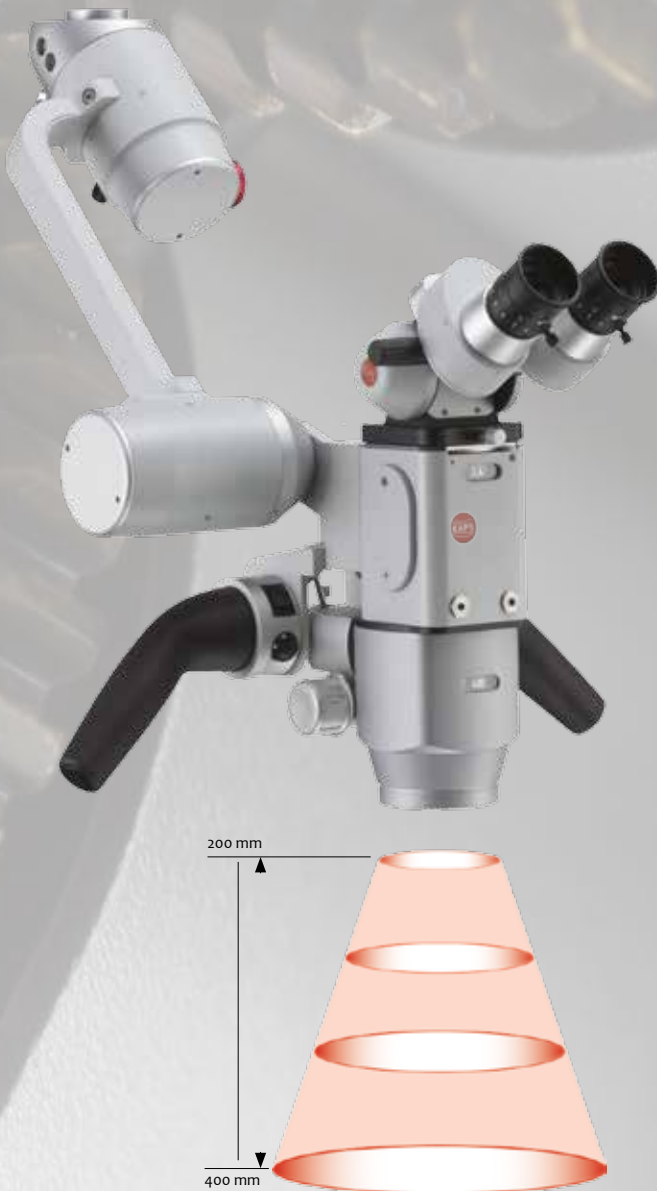
Dental microscopes from Karl Kaps are robust and designed for professional daily use in a dental practice and hospitals. They are neither susceptible to servicing, nor is maintenance required at fixed intervals.



Brilliant Optics - Powerful Illumination

For an excellent view of the treatment field

Module 50



Kaps 1450
with Vario Objective (Module 50)

Kaps dental microscopes offer high-contrast and color-fast visualization solutions.

Brilliant optics and ultra-bright LED lighting go hand in hand.

The Kaps dental microscopes provide sharp and high-contrast images in natural colors and with high-resolution details.

All Kaps dental microscopes can be equipped with a **Vario Objective (Module 50)**. This objective stands for ergonomics in the workplace. The working distances can be infinitely adjusted from 200 mm to 400 mm. Thus, a lens change is unnecessary. They simply focus up and down on the focusing plane. Exactly coordinated optical components provide a high-contrast, brilliant and distortion-free image with high depth of focus.

Alternatively, the **Variflex-100** with a focal length of 220 - 320 mm is available. Retrofitting is possible within minutes by simply replacing the objective. Again, attention was paid to a high-quality apochromatic optics with multiple coating. This lens is ideal for photo and video documentation.

The manual or motorized zoom system in the range 1: 6 (from Kaps 1300) allows a flexible adjustment of working distance and magnification to the current treatment situation. You can quickly and smoothly switch between a detailed field of vision (maximum magnification) and the overview field (the largest possible field) without any restriction to your stereoscopic vision. In this way, you gain a comprehensive picture and can fully concentrate on your patient's treatment.

The orange filter helps to effectively cut out disturbing UV components, which can lead to premature curing during the placement of composite fillings.

Kaps Variflex-100



Kaps 1100
with Variflex-100 objective
and 45° ergonomic wedge

Integrated LED Illumination

By default, our Kaps dental microscopes are equipped with powerful LED illumination. This is on the performance level of a 180 watt Xenon lighting!

The contrasting color temperature of the LED illumination is very similar to daylight. This and the homogeneous lighting of the field of view contribute to fatigue-free work.

Another advantage is the long life time of about 50,000 hours and the low power consumption. The LED illumination produces little heat and is extremely quiet.

Optionally, the Kaps dental microscopes are also available with external Xenon illumination.

Ergonomic solutions

So that the daily routine does not hit the back

Ergonomics and ease of use play a major role in dental practices and clinics. Guard against neck and back pain even during long treatment times.

Equip your Kaps dental microscope with a **45° ergonomic wedge** for optimal ergonomics. The integrated **binocular turntable** neutralizes even uncomfortable microscope settings in the range $\pm 24^\circ$. You always sit in a comfortable and upright, ergonomically correct position and yet have the optimum viewing angle. Position the microscope at the angle at which you need it and adjust it to the position of the patient. It only takes one touch, and tube rotates into your preferred working position.



Effortless Positioning

All microscopic movements are effected with minimum effort. From the 200 version upwards the system is equipped with a **balancing system**. This enables the user to smoothly position the microscope exactly as needed, even with adapted accessories. Asymmetric load distribution on the microscope is balanced out and does not influence the ergonomics.

All versions from Kaps 1200 have a balancing system with **electromagnetic brakes** to immobilize the microscopic head in its current position. Press the button on the handle and the magnetic brakes are released. After shifting it to its new position, the button is released again and the new position is secured.

Ergonomics and ease of use.
Focus fully on the essentials.



For an ergonomically correct working position - Kaps 1100 with 45° ergonomic wedge with beam splitter, binocular turntable and photo tube
(Image with kind permission of Dr. Milen Dimitrov)

Kaps Dental Microscopes at a Glance

From the perfect All-rounder Kaps 1100 to the Highlight of the series Kaps 1400

Kaps 1100

All-rounder - always in balance



- 5-step apochromatic magnification changer
- Binocular swivel tube 0 - 210°
- Objective f = 250 mm with fine focusing (12 mm)
- Eyepieces 12.5 x V
- Balancing System
- Ergonomic handles
- Integrated LED illumination

Kaps 1200

Perfect handling thanks to the Free Motion magnetic brake



- 5-step apochromatic magnification changer
- Binocular swivel tube 0 - 210°
- Objective f = 250 mm with fine focusing (12 mm)
- Eyepieces 12.5 x V
- **Balancing system with magnetic brakes (Free Motion)**
- **Ergonomic handles with integrated control knobs**
- Integrated LED illumination



Kaps 1300

Stepless magnification thanks to manual zoom, perfect handling thanks to the Free Motion magnetic brake



- **Manual zoom 1:6**
- Binocular swivel tube 0 - 210°
- Objective f = 250 mm with fine focusing (12 mm)
- Eyepieces 12.5 x V
- Balancing system with magnetic brakes (Free Motion)
- Ergonomic handles with integrated control knobs
- Integrated LED illumination

Kaps 1400

Highlight of the series, the fully motorized dental microscope



- **Motorized zoom 1:6**
- Binocular swivel tube 0 - 210°
- Objective f = 250 mm with fine focusing (12 mm)
- Eyepieces 12.5 x V
- Balancing system with magnetic brakes (Free Motion)
- Ergonomic handles with integrated control knobs
- Integrated LED illumination

Kaps Accessories for Dental Microscopes

Powerful to the Last Detail



- **Kaps 45° ergonomic wedge with beam splitter and binocular turntable**

The unbeatable combination for an optimal viewing angle and comfort at the workplace.

- ➔ Order no. 101-990-100 (45° tube monolateral 50:50)
- ➔ Order no. 101-991-100 (45° tube monolateral 80:20)
- ➔ Order no. 101-993-100 (45° tube belateral 50:50 / 80:20)



- **Kaps photo tube for DSLR camera (Canon, Nikon)**

Multi-coated anti-reflection high-end optics for a frame-filling, low-distortion and image field leveled digital camera image for Canon and Nikon.

- ➔ Order no. 101-320-000



- **Kaps HD photo adapter for SONY Alpha 5000/6000 (also applies to existing SONY NEX-5/-6/-7)**

HD documentation of medical findings with apochromatic optics for brilliant and true color images with amazing detail diversity in full format.

- ➔ Order no. 101-327-000



- **Kaps HD video and documentation accessories**

Wide range of video and documentation accessories on request. Please ask for current information.



- **Kaps Variflex-100 in compact height**

Objective lens with a focal length of 220 - 320 mm and lens protection. It is fast and easy to use and immediately ready for use.

- ➔ Order no. 101-710-100 (Variflex-100)
- ➔ Order no. 101-712-100 (lens protection)



- **Kaps Vario objective (Module 50)**

Stepless adjustable working distance from 200 mm to 400 mm for more ergonomics in the workplace. Thus, an objective change is unnecessary. You simply focus up and down on the focusing plane.

- ➔ Order no. 162-700-000



- **Kaps lens protection**

For subsequent adaptation, suitable for all existing lenses (except Vario objectives). An 8-fold coating ensures the best sharpness and a high color quality. Reflections are completely avoided.

- ➔ Order no. 101-665-100



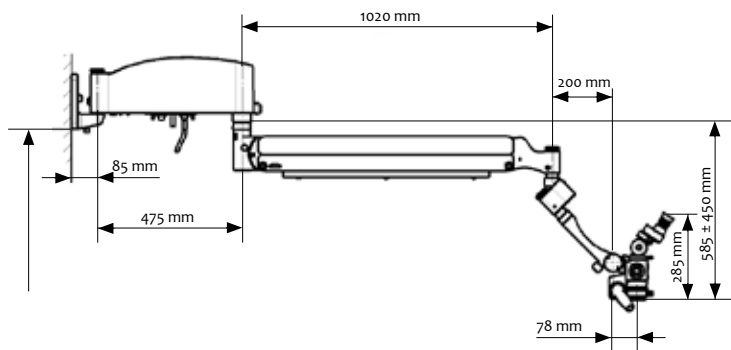
- **Asepsis**

For all adjusters and handles we offer asepsis caps.

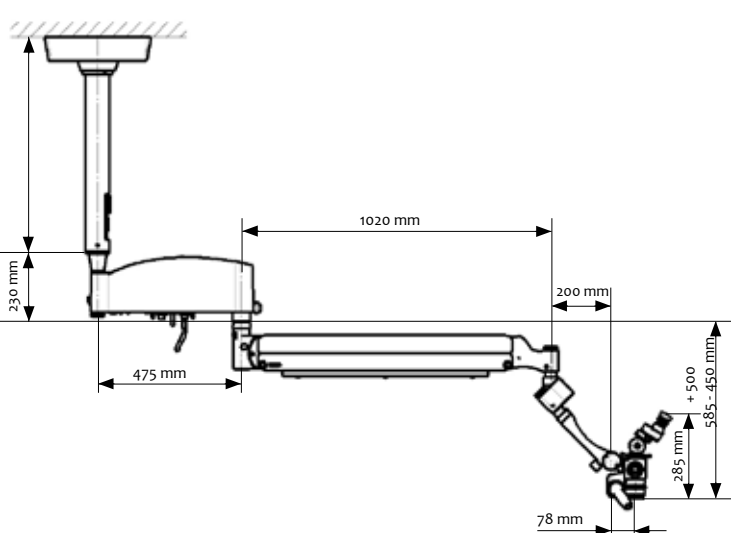
Technical Data

| | Kaps 1100 | Kaps 1200 | Kaps 1300 | Kaps 1400 |
|--------------------|---|-----------|-----------------|--------------------|
| Magnification | 5-step apochromatic magnification changer | | manual zoom 1:6 | motorized zoom 1:6 |
| Modification Range | 1.5x - 40x available (dependent upon objectives and eyepieces) | | | |
| Field of view | 120 mm - 7 mm (dependent upon objectives and eyepieces)) | | | |
| Illumination | Integrated LED illumination Optional: Xenon 180 W (external) Integrated variable illumination spot size and orange filter | | | |
| Objectives | Fixed focal length from 100 mm to 400 mm offered in 50 mm increments (each with fine focusing 12 mm) Kaps-Variflex-100 f= 220 mm - 320 mm (stepless) Vario Objective (Modul 50) f= 200 mm - 400 mm (stepless and motorized) | | | |
| Eyepieces | 10 x; 12,5 x | | | |

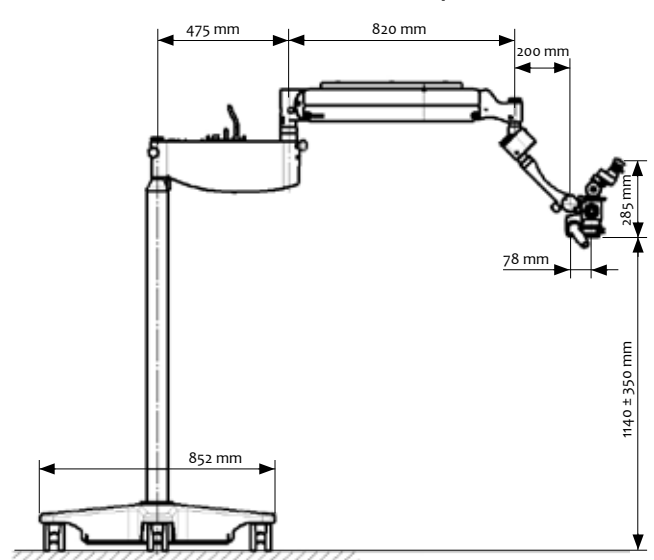
Kaps 1100 - Wall Mount



Kaps 1100 - Ceiling Mount



Kaps 1100 - Mobile Stand



Алматы (7273)495-231
Ангарск (3955)60-70-56
Архангельск (8182)63-90-72
Астрахань (8512)99-46-04
Барнаул (3852)73-04-60
Белгород (4722)40-23-64
Благовещенск (4162)22-76-07
Брянск (4832)59-03-52
Владивосток (423)249-28-31
Владикавказ (8672)28-90-48
Владимир (4922)49-43-18
Волгоград (844)278-03-48
Вологда (8172)26-41-59
Воронеж (473)204-51-73
Екатеринбург (343)384-55-89

Иваново (4932)77-34-06
Ижевск (3412)26-03-58
Иркутск (395)279-98-46
Казань (843)206-01-48
Калининград (4012)72-03-81
Калуга (4842)92-23-67
Кемерово (3842)65-04-62
Киров (8332)68-02-04
Коломна (4966)23-41-49
Кострома (4942)77-07-48
Краснодар (861)203-40-90
Красноярск (391)204-63-61
Курск (4712)77-13-04
Курган (3522)50-90-47
Липецк (4742)52-20-81

Магнитогорск (3519)55-03-13
Москва (495)268-04-70
Мурманск (8152)59-64-93
Набережные Челны (8552)20-53-41
Нижний Новгород (831)429-08-12
Новокузнецк (3843)20-46-81
Ноябрьск (3496)41-32-12
Новосибирск (383)227-86-73
Омск (3812)21-46-40
Орел (4862)44-53-42
Оренбург (3532)37-68-04
Пенза (8412)22-31-16
Петрозаводск (8142)55-98-37
Псков (8112)59-10-37

Пермь (342)205-81-47
Ростов-на-Дону (863)308-18-15
Рязань (4912)46-61-64
Самара (846)206-03-16
Саранск (8342)22-96-24
Санкт-Петербург (812)309-46-40
Саратов (845)249-38-78
Севастополь (8692)22-31-93
Симферополь (3652)67-13-56
Смоленск (4812)29-41-54
Сочи (862)225-72-31
Ставрополь (8652)20-65-13
Сургут (3462)77-98-35
Сыктывкар (8212)25-95-17
Тамбов (4752)50-40-97

Тверь (4822)63-31-35
Тольятти (8482)63-91-07
Томск (3822)98-41-53
Тула (4872)33-79-87
Тюмень (3452)66-21-18
Ульяновск (8422)24-23-59
Улан-Удэ (3012)59-97-51
Уфа (347)229-48-12
Хабаровск (4212)92-98-04
Чебоксары (8352)28-53-07
Челябинск (351)202-03-61
Череповец (8202)49-02-64
Чита (3022)38-34-83
Якутск (4112)23-90-97
Ярославль (4852)69-52-93

Россия +7(495)268-04-70

Казахстан +7(7172)727-132

Киргизия +996(312)96-26-47

www.karlkaps.nt-rt.ru | | ksj@nt-rt.ru