

<b>Алматы</b> (7273)495-231	<b>Иваново</b> (4932)77-34-06	<b>Магнитогорск</b> (3519)55-03-13	<b>Пермь</b> (342)205-81-47	<b>Тверь</b> (4822)63-31-35
<b>Ангарск</b> (3955)60-70-56	<b>Ижевск</b> (3412)26-03-58	<b>Москва</b> (495)268-04-70	<b>Ростов-на-Дону</b> (863)308-18-15	<b>Тольятти</b> (8482)63-91-07
<b>Архангельск</b> (8182)63-90-72	<b>Иркутск</b> (395)279-98-46	<b>Мурманск</b> (8152)59-64-93	<b>Рязань</b> (4912)46-61-64	<b>Томск</b> (3822)98-41-53
<b>Астрахань</b> (8512)99-46-04	<b>Казань</b> (843)206-01-48	<b>Набережные Челны</b> (8552)20-53-41	<b>Самара</b> (846)206-03-16	<b>Тула</b> (4872)33-79-87
<b>Барнаул</b> (3852)73-04-60	<b>Калининград</b> (4012)72-03-81	<b>Нижний Новгород</b> (831)429-08-12	<b>Саранск</b> (8342)22-96-24	<b>Тюмень</b> (3452)66-21-18
<b>Белгород</b> (4722)40-23-64	<b>Калуга</b> (4842)92-23-67	<b>Новокузнецк</b> (3843)20-46-81	<b>Санкт-Петербург</b> (812)309-46-40	<b>Ульяновск</b> (8422)24-23-59
<b>Благовещенск</b> (4162)22-76-07	<b>Кемерово</b> (3842)65-04-62	<b>Ноябрьск</b> (3496)41-32-12	<b>Саратов</b> (845)249-38-78	<b>Улан-Удэ</b> (3012)59-97-51
<b>Брянск</b> (4832)59-03-52	<b>Киров</b> (8332)68-02-04	<b>Новосибирск</b> (383)227-86-73	<b>Севастополь</b> (8692)22-31-93	<b>Уфа</b> (347)229-48-12
<b>Владивосток</b> (423)249-28-31	<b>Коломна</b> (4966)23-41-49	<b>Омск</b> (3812)21-46-40	<b>Симферополь</b> (3652)67-13-56	<b>Хабаровск</b> (4212)92-98-04
<b>Владикавказ</b> (8672)28-90-48	<b>Кострома</b> (4942)77-07-48	<b>Орел</b> (4862)44-53-42	<b>Смоленск</b> (4812)29-41-54	<b>Чебоксары</b> (8352)28-53-07
<b>Владимир</b> (4922)49-43-18	<b>Краснодар</b> (861)203-40-90	<b>Оренбург</b> (3532)37-68-04	<b>Сочи</b> (862)225-72-31	<b>Челябинск</b> (351)202-03-61
<b>Волгоград</b> (844)278-03-48	<b>Красноярск</b> (391)204-63-61	<b>Пенза</b> (8412)22-31-16	<b>Ставрополь</b> (8652)20-65-13	<b>Череповец</b> (8202)49-02-64
<b>Вологда</b> (8172)26-41-59	<b>Курск</b> (4712)77-13-04	<b>Петрозаводск</b> (8142)55-98-37	<b>Сургут</b> (3462)77-98-35	<b>Чита</b> (3022)38-34-83
<b>Воронеж</b> (473)204-51-73	<b>Курган</b> (3522)50-90-47	<b>Псков</b> (8112)59-10-37	<b>Сыктывкар</b> (8212)25-95-17	<b>Якутск</b> (4112)23-90-97
<b>Екатеринбург</b> (343)384-55-89	<b>Липецк</b> (4742)52-20-81		<b>Тамбов</b> (4752)50-40-97	<b>Ярославль</b> (4852)69-52-93

Россия +7(495)268-04-70

Казахстан +7(7172)727-132

Киргизия +996(312)96-26-47

[www.karlkaps.nt-rt.ru](http://www.karlkaps.nt-rt.ru) | | [ksj@nt-rt.ru](mailto:ksj@nt-rt.ru)

# Технические характеристики на офтальмологические микроскопы

## SOM 62 Ophthal

### КОМПАНИИ **Karl Kaps**

# Karl Kaps SOM<sup>®</sup> 62 Ophthal

Master the daily routine of the surgery



SOM 62 Ophthal Advanced  
Configuration: Medical grade  
Ikegami HD video camera and  
monitor

Human has five senses. One of the most important ways in which we perceive our environment is seeing, the visual perception through the eyes. Obtaining sight is therefore extremely important.

We provide the surgeon with a surgical microscope, which helps him to master the daily routine of surgery and to obtain the best possible surgical result for his patient.

The SOM<sup>®</sup> 62 Ophthal surgical microscopes are extremely space-saving and versatile in ophthalmic surgery. They are characterized by an easy and exact positioning.

The SOM<sup>®</sup> 62 Ophthal surgical microscopes are available in three versions:

- SOM<sup>®</sup> 62 Ophthal Basic** - Perfect basic microscope, small and compact
- SOM<sup>®</sup> 62 Ophthal Basic +** - Ideal for cataract surgery
- SOM<sup>®</sup> 62 Ophthal Advanced** - For cataract and retina surgery

SOM<sup>®</sup> 62 Ophthal microscopes are constructed in a modular system and offer almost unlimited equipment options, individually tailored to your requirement profile.

Karl Kaps is a company with more than 70 years of experience in developing and manufacturing medical microscopes. The innovative, long-established company is based in Asslar, Germany, from where it successfully operates in over 90 countries through its very well developed dealer network.

# Prepared for everything

Brilliant Optics - Powerful Illumination - Compact - User-friendly

**The more difficult an operation, the more important is a good view, image quality, color fidelity and improved resolution.**

The apochromatic optics of the Kaps SOM® 62 Ophthal surgical microscopes offer high-contrast and colorfast visualization solutions, as well in the changer system (Basic and Basic +) as in the motorized zoom system (Advanced).

The zoom system in the range of 1:6 also allows a flexible adjustment of working distance and magnification to the current treatment situation. You can quickly and easily switch between the detailed field of view (maximum magnification) and the overview field (the largest possible field of view) without any restriction of stereoscopic vision.

## Integrated Illumination

The SOM® 62 ophthalmic surgical microscopes are equipped with a 15 V / 150 watt coaxial fiber optic illumination, specially adapted for ophthalmological applications, with a built-in UV filter and a retractable GG 475 retina protective filter. In combination with the optics, it allows a bright red reflex, making every layer and every detail of the retina visible without risking to hurt the patient's eye. Other filters against IR and UV exposure are permanently mounted!

**So you make quick and profound decisions to preserve the eyesight of your patient.**

The compact design allows a short working distance of the surgeon to the surgical field and is extremely user-friendly. All microscope movements are performed with minimal effort.

With the **SOM® 62 Ophthal Basic** the fine focusing (40 mm) is carried out via a foot switch. The setting of the focus speed and the light intensity are controlled within seconds by control knobs.

The **SOM © 62 Ophthal Basic +** also has an integrated motorized XY coupling. This allows quick and easy position changes of the microscope head and is controlled via the foot control panel.

On the **SOM® 62 Ophthal Advanced** model, you control the various motor functions such as zoom, focus and XY speeds as well as light intensity via a foot control panel. This leaves your hands free to operate. The integrated XY coupling allows changes in the position of the microscope head via the foot control panel. Press the „Center“-button and the head automatically returns to the middle position - ready for the next operation. The binocular swivel tube 0 - 210° offers an additional ergonomic advantage.

## Space-saving stands

Thanks to its compact design, the mobile floor stand can also be optimally integrated into smaller operating rooms. It allows a quick repositioning during an operation as well as the change to another operating room without much effort. Optionally, we also offer a **ceiling mounting** with high stability and a large boom radius as installation solution.



made  
in  
Germany

## Kaps SOM<sup>®</sup> 62 Ophthal at a glance

From the perfect all-rounder SOM<sup>®</sup> 62 Ophthal Basic to the highlight of the series SOM<sup>®</sup> 62 Ophthal Advanced

### SOM<sup>®</sup> 62 Ophthal Basic

All-rounder - Perfect basic microscope - small and compact



- 5-step apochromatic magnification changer
- Binocular inclined tube 60°, f = 125 mm
- APO-objective f = 200 mm
- Fine focusing motorized 40 mm
- Eyepieces 12.5 x V or 10 x V
- Handles
- Foot switch for focus
- Coaxial cold light illumination

### SOM<sup>®</sup> 62 Ophthal Basic +

**More flexible** - Ideal for cataract surgery



- 5-step apochromatic magnification changer
- **XY-Coupling**
- Binocular inclined tube 60°, f = 125 mm
- APO-objective f = 200 mm
- Fine focusing motorized 40 mm
- Eyepieces 12.5 x V or 10 x V
- Handles
- **Foot switch for focus and XY-coupling and brightness of illumination**
- Coaxial cold light illumination

# Accessories

## Powerful to the Last Detail

### SOM® 62 Ophthal Advanced

Performer - for cataract and retina surgery



- **Motorized Zoom 1:6**
- XY-Coupling
- **Binocular swivel tube 0 - 210°**
- APO-objective f = 200 mm
- Fine focusing motorized 40 mm
- Eyepieces 12.5 x V or 10 x V
- Handles
- Foot switch for zoom, focus, XY-coupling and brightness of illumination
- Coaxial cold light illumination

### Kaps binocular swivel tube 0 - 210°

Large swiveling range combined with a very small design. It always guarantees an upright, ergonomically correct working position. (Optional for SOM® 62 Ophthal Basic and Basic +)



### Kaps assistant tube binocular

To view the examination field of a second person in the same magnification - particularly suitable for assistance or training.



### Kaps HD video- and documentations accessories

Wide range of video and documentation accessories on request. Please ask for current information.



### Asepsis

For all adjusters and handles we offer asepsis caps. This keeps the controls clean and you can make all the necessary settings during the operation. Sterile drapes are available for the microscope head.



### Monitor holder

Monitor holder for adaptation to Kaps SOM 62 mobile stand - easy installation, height adjustable, optimal ergonomic solution.



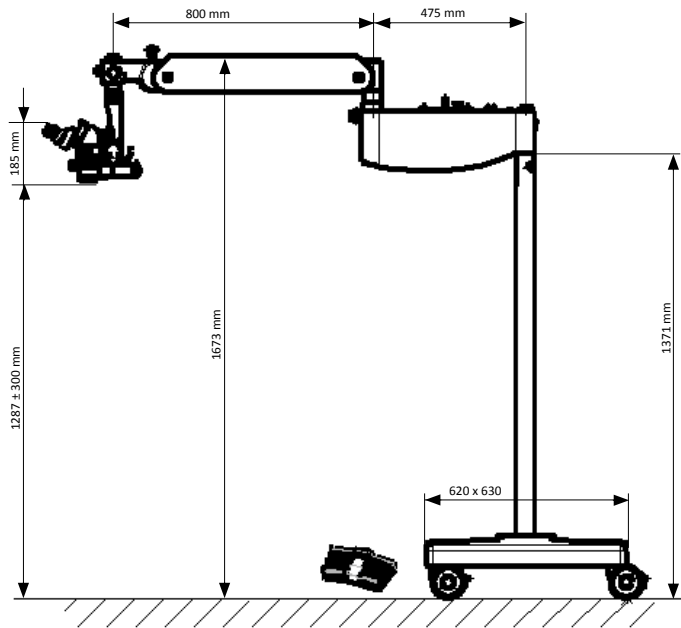
# Technical Data

	<b>SOM® 62 Ophthal Basic</b>	<b>SOM® 62 Ophthal Basic +</b>	<b>SOM® 62 Ophthal Advanced</b>
Binocular tube	Inclined tube 60°, f = 159 mm	Inclined tube 60°, f = 159 mm	Swivel tube 0 - 210°, f = 182 mm
Objective	APO f = 200 mm	APO f = 200 mm	APO f = 200 mm
Eyepieces	Eyepieces WF 10 x V with diopter compensation Eyepieces WF 12.5 x V with diopter compensation (optional) Other on request		
Magnification	Apochromatic 5-step magnification changer	Apochromatic 5-step magnification changer	Apochromatic motorized zoom 1:6
Fine focusing	40 mm motorized	40 mm motorized	40 mm motorized
XY-coupling	-	50 x 50 mm	50 x 50 mm
Filter	Swing in retina protection filter GG 475 Swing in yellow filter		
Illumination	Coaxial cold light fiber optic illumination 15 V / 150 Watt with operational replacement lamp, retina protection filter GG 475, filter against IR and UV exposure		

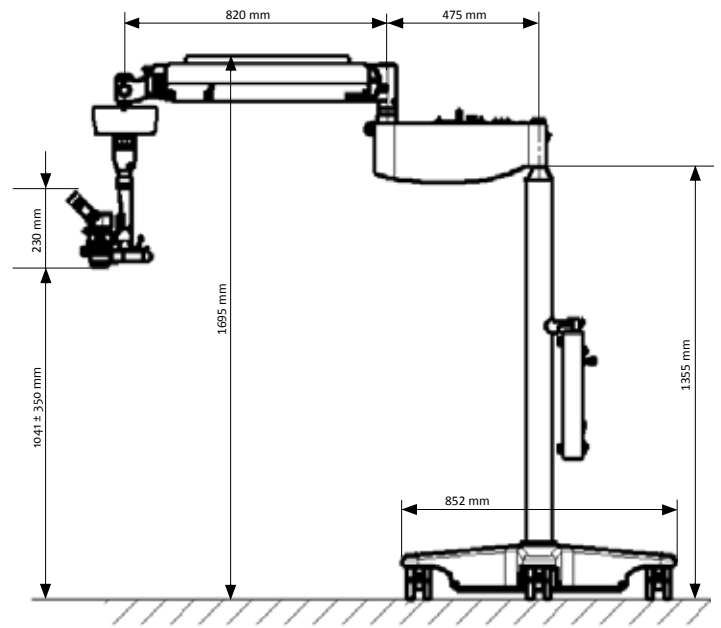
<b>Accessories</b>	<b>SOM® 62 Ophthal</b>
Photo-/video documentation	Beam splitter monolateral or bilateral Beam splitter with c-mount connection, f = 54 mm TV-tube with aperture f = 54 mm Ikegami HD video camera (medical grade)
Second observer attachments	Beam splitter bilateral, 50:50 and 80:20 Binocular assistant tube Binocular inclined tube, f = 125 mm / swivel tube 0 - 210°, f = 182 mm Eyepieces WF 10 x V with diopter compensation
Others	Monitor holder on swivel arm Monitor 22" (medical grade)

# Technical Data

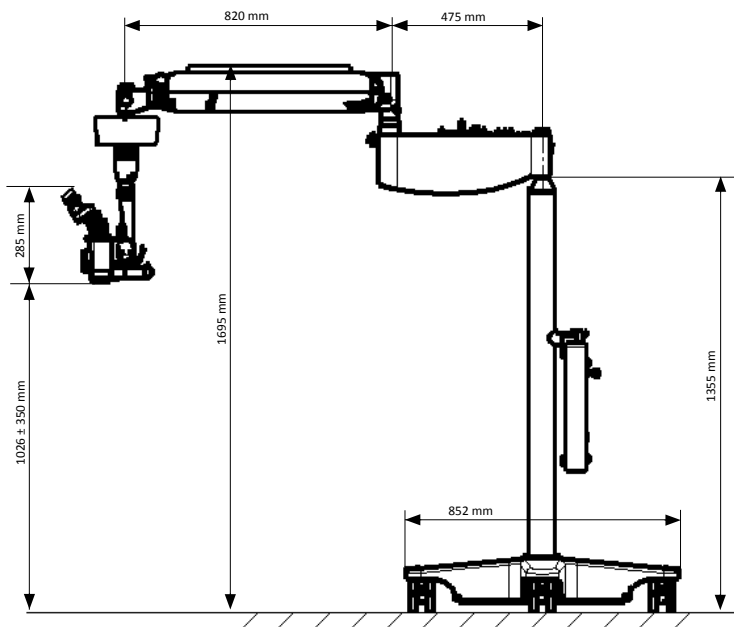
Kaps SOM® 62 Ophthal Basic Basic



Kaps SOM® 62 Ophthal Basic +



Kaps SOM® 62 Ophthal Advanced



Алматы (7273)495-231  
Ангарск (3955)60-70-56  
Архангельск (8182)63-90-72  
Астрахань (8512)99-46-04  
Барнаул (3852)73-04-60  
Белгород (4722)40-23-64  
Благовещенск (4162)22-76-07  
Брянск (4832)59-03-52  
Владивосток (423)249-28-31  
Владикавказ (8672)28-90-48  
Владимир (4922)49-43-18  
Волгоград (844)278-03-48  
Вологда (8172)26-41-59  
Воронеж (473)204-51-73  
Екатеринбург (343)384-55-89

Иваново (4932)77-34-06  
Ижевск (3412)26-03-58  
Иркутск (395)279-98-46  
Казань (843)206-01-48  
Калининград (4012)72-03-81  
Калуга (4842)92-23-67  
Кемерово (3842)65-04-62  
Киров (8332)68-02-04  
Коломна (4966)23-41-49  
Кострома (4942)77-07-48  
Краснодар (861)203-40-90  
Красноярск (391)204-63-61  
Курск (4712)77-13-04  
Курган (3522)50-90-47  
Липецк (4742)52-20-81

Магнитогорск (3519)55-03-13  
Москва (495)268-04-70  
Мурманск (8152)59-64-93  
Набережные Челны (8552)20-53-41  
Нижний Новгород (831)429-08-12  
Новокузнецк (3843)20-46-81  
Ноябрьск (3496)41-32-12  
Новосибирск (383)227-86-73  
Омск (3812)21-46-40  
Орел (4862)44-53-42  
Оренбург (3532)37-68-04  
Пенза (8412)22-31-16  
Петрозаводск (8142)55-98-37  
Псков (8112)59-10-37

Пермь (342)205-81-47  
Ростов-на-Дону (863)308-18-15  
Рязань (4912)46-61-64  
Самара (846)206-03-16  
Саранск (8342)22-96-24  
Санкт-Петербург (812)309-46-40  
Саратов (845)249-38-78  
Севастополь (8692)22-31-93  
Симферополь (3652)67-13-56  
Смоленск (4812)29-41-54  
Сочи (862)225-72-31  
Ставрополь (8652)20-65-13  
Сургут (3462)77-98-35  
Сыктывкар (8212)25-95-17  
Тамбов (4752)50-40-97

Тверь (4822)63-31-35  
Тольятти (8482)63-91-07  
Томск (3822)98-41-53  
Тула (4872)33-79-87  
Тюмень (3452)66-21-18  
Ульяновск (8422)24-23-59  
Улан-Удэ (3012)59-97-51  
Уфа (347)229-48-12  
Хабаровск (4212)92-98-04  
Чебоксары (8352)28-53-07  
Челябинск (351)202-03-61  
Череповец (8202)49-02-64  
Чита (3022)38-34-83  
Якутск (4112)23-90-97  
Ярославль (4852)69-52-93

Россия +7(495)268-04-70

Казахстан +7(7172)727-132

Киргизия +996(312)96-26-47

[www.karlkaps.nt-rt.ru](http://www.karlkaps.nt-rt.ru) | | [ksj@nt-rt.ru](mailto:ksj@nt-rt.ru)