

Алматы (7273)495-231
Ангарск (3955)60-70-56
Архангельск (8182)63-90-72
Астрахань (8512)99-46-04
Барнаул (3852)73-04-60
Белгород (4722)40-23-64
Благовещенск (4162)22-76-07
Брянск (4832)59-03-52
Владивосток (423)249-28-31
Владикавказ (8672)28-90-48
Владимир (4922)49-43-18
Волгоград (844)278-03-48
Вологда (8172)26-41-59
Воронеж (473)204-51-73
Екатеринбург (343)384-55-89

Иваново (4932)77-34-06
Ижевск (3412)26-03-58
Иркутск (395)279-98-46
Казань (843)206-01-48
Калининград (4012)72-03-81
Калуга (4842)92-23-67
Кемерово (3842)65-04-62
Киров (8332)68-02-04
Коломна (4966)23-41-49
Кострома (4942)77-07-48
Краснодар (861)203-40-90
Красноярск (391)204-63-61
Курск (4712)77-13-04
Курган (3522)50-90-47
Липецк (4742)52-20-81

Магнитогорск (3519)55-03-13
Москва (495)268-04-70
Мурманск (8152)59-64-93
Набережные Челны (8552)20-53-41
Нижний Новгород (831)429-08-12
Новокузнецк (3843)20-46-81
Ноябрьск (3496)41-32-12
Новосибирск (383)227-86-73
Омск (3812)21-46-40
Орел (4862)44-53-42
Оренбург (3532)37-68-04
Пенза (8412)22-31-16
Петрозаводск (8142)55-98-37
Псков (8112)59-10-37

Пермь (342)205-81-47
Ростов-на-Дону (863)308-18-15
Рязань (4912)46-61-64
Самара (846)206-03-16
Саранск (8342)22-96-24
Санкт-Петербург (812)309-46-40
Саратов (845)249-38-78
Севастополь (8692)22-31-93
Симферополь (3652)67-13-56
Смоленск (4812)29-41-54
Сочи (862)225-72-31
Ставрополь (8652)20-65-13
Сургут (3462)77-98-35
Сыктывкар (8212)25-95-17
Тамбов (4752)50-40-97

Тверь (4822)63-31-35
Тольятти (8482)63-91-07
Томск (3822)98-41-53
Тула (4872)33-79-87
Тюмень (3452)66-21-18
Ульяновск (8422)24-23-59
Улан-Удэ (3012)59-97-51
Уфа (347)229-48-12
Хабаровск (4212)92-98-04
Чебоксары (8352)28-53-07
Челябинск (351)202-03-61
Череповец (8202)49-02-64
Чита (3022)38-34-83
Якутск (4112)23-90-97
Ярославль (4852)69-52-93

Россия +7(495)268-04-70

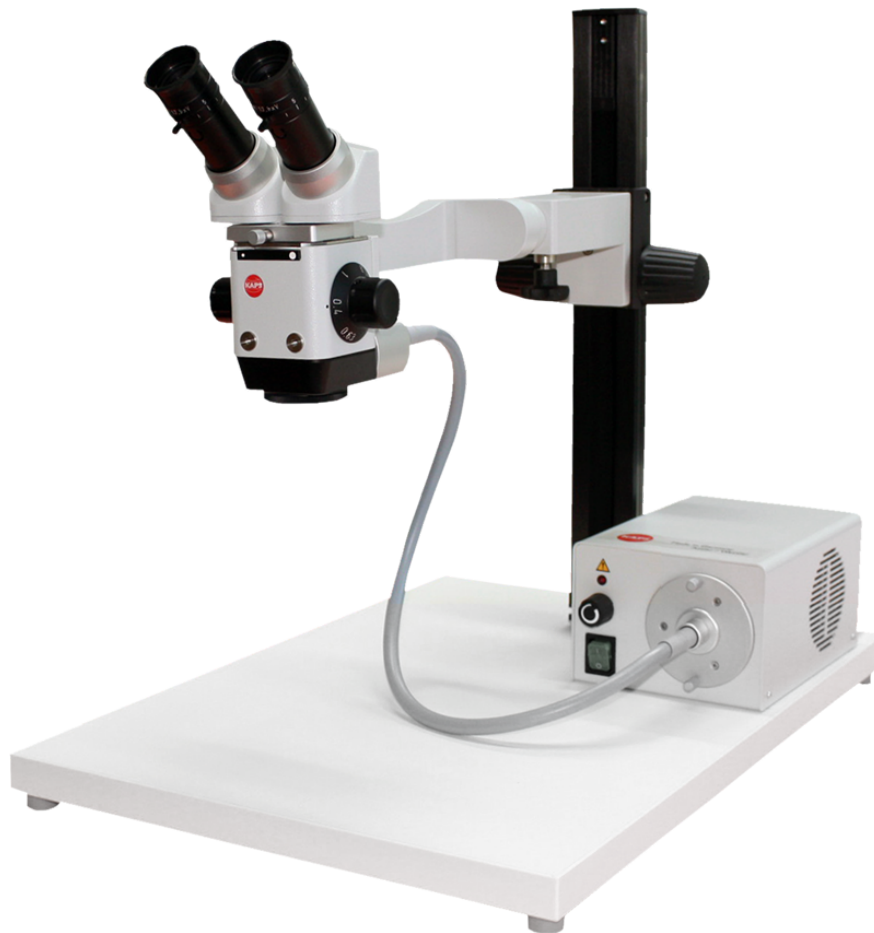
Казахстан +7(7172)727-132

Киргизия +996(312)96-26-47

www.karlkaps.nt-rt.ru | | ksj@nt-rt.ru

**Технические характеристики на
промышленные
стереомикроскопы отраженного света,
компактные настольные микроскопы
SOM 82, SLM
КОМПАНИИ **Karl Kaps****

Compact Table Microscope for Medicine and Technology



The stereo table microscope SLM 1 fits every kind of spatial requirement. With its table stand it can easily and swiftly be moved to another room and thus serves a variety of purposes.

The SLM is available in two sizes:

- SLM 1 with a solid 420 x 600 mm plate.
- SLM 2 with a solid 300 x 400 mm plate.

This solid plate at the base of the stand provides a stable position during work and observation. The height is adjusted roughly along the column by means of clamps and then fine-tuned (40 mm). The focusing drive of the SLM 1 is 500 mm, that of the SLM 2 is 300 mm.

The SLM is equipped with the stand alone LEDone light source. The LED illumination guarantees an effortless and detailed work in daylight quality.

Technical Data

Equipment	Stand column, stainless Base plate, scratch-free coated Microscope holder with a adjustment ring
Lighting	LEDone illumination
Magnification	3-step magnification changer, manual as standard 5-step magnification changer, manual (on request)
Focus	Manual fine focus
Binocular tube	Inclined tube $f = 159 \text{ mm } 60^\circ$ as standard on request also inclined tube $f = 159 \text{ mm } 45^\circ$ or wideangle swivel tube $f = 182 \text{ 0-}210^\circ$
Eyepiece	10 x V, 12.5 V or 20 x V
Objective	$f = 150 \text{ mm}$, $f = 200 \text{ mm}$
Filter	Green filter (other on request)

Kaps SOM[®] 82 / SLM

The ideal Microscopes for Medicine and Technology

Microscopes for Medicine and Technology

Portable, movable and flexible

Our microscopes are ideal for a wide variety of applications in technology and industry.

With their brilliant appearance, excellent illumination and the tried-and-tested modular system, which enables the subsequent adaptation of accessories at any time, they are versatile and can be used individually - wherever details are important. Be it in dental technology, exercises in microsurgery, veterinary medicine, the restoration or as an outpatient device in ophthalmology.

Thanks to their ergonomic design, our stereo-microscopes allow the user to work accurately and without tiring. The color-fast, three-dimensional image has a high depth of field, which makes even the smallest details visible!



Kaps SOM[®] 82 in an aluminum case for space-saving and safe storage when the microscope is not in use!

Incident Light Stereo-Microscope Kaps SOM[®] 82

When details are essential

The **Kaps SOM[®] 82** can be clamped directly to a sturdy table (see illustration below) or anchored / screwed directly into the table with a table mount (see picture on the right) and is thus also ideally suited for mobile use.

Swivel and suspension arms are infinitely adjustable and allow the use in a larger work area. The microscope can be brought into the desired position with just one hand and ensures a tireless sitting posture.

By combining different magnification changers (3-step, 5-step or manual 1:6 zoom) with tuned binocular tubes and eyepieces, you will find the perfect solution for almost any application.

Of course, the SOM[®] 82 can be equipped with a co-observation device and various camera and video systems.



Due to its high flexibility, the SOM[®] 82 is particularly suitable for training and training centers.
(Image with kind permission of Botzer Ergonomics)



Kaps SOM[®] 82 with assistant tube monocular and table clamp.

Stereo Table Microscope Kaps SLM

Small, compact & flexible



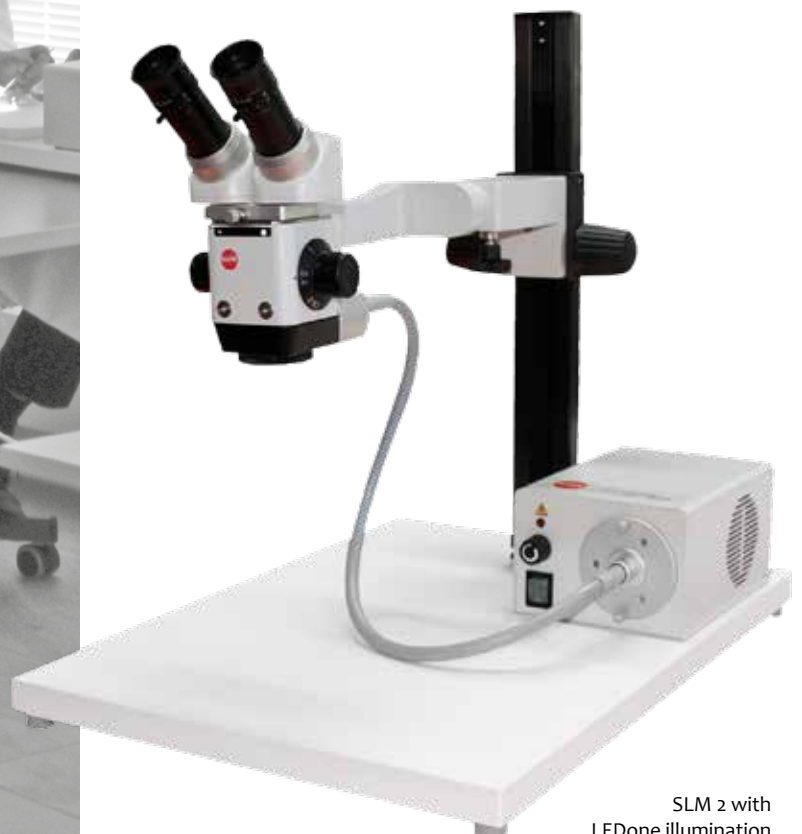
The stereo table microscope SLM adapts perfectly to any room. The table microscope can be used simply and quickly for a variety of tasks in different rooms.

The SLM is available in two sizes:

- SLM 1 with a base plate of 420 x 600 mm
- SLM 2 with a base plate of 300 x 400 mm.

The stable base plate of the tripod ensures constant working positions and observation devices. A coarse height adjustment can be achieved via the column guide (with clamp). The focusing drive of the SLM 1 is 500 mm, that of the SLM 2 300 mm.

The SLM is equipped with a LEDone illumination source, guaranteeing effortless and detailed work in daylight quality.



SLM 2 with LEDone illumination

Due to their compact design and flexibility, the SLM microscopes are particularly suitable for training and training centers.

(Image with kind permission of NIIOS, Netherlands Institute for Innovative Ocular Surgery)

Kaps Accessories for SOM 82 and SLM

Powerful to the last detail



- **Kaps binocular swivel tube 0-210°**

This tube is characterized by a large swivel range with a very small design and always guarantees an upright ergonomically correct working position.



- **Kaps observation tube monocular**

To view the examination field of a second person in the same magnification - particularly suitable for sterile assistance or training.



- **Kaps photo tube for DSLR cameras**

Multi-coated anti-reflection high-end optics for a frame-filling, low-distortion and image field leveled digital camera image for Canon and Nikon.



- **Kaps HD photo adapter for SONY Alpha 5000/6000 (also applies to existing SONY NEX-5/-6/-7)**

HD documentation of medical findings with apochromatic optics for brilliant and true color images with amazing detail diversity in full format.



- **Kaps HD video- and documentation accessories**

Extensive video and documentation accessories available on request. Request current information.



- **Aluminum case for SOM® 82**

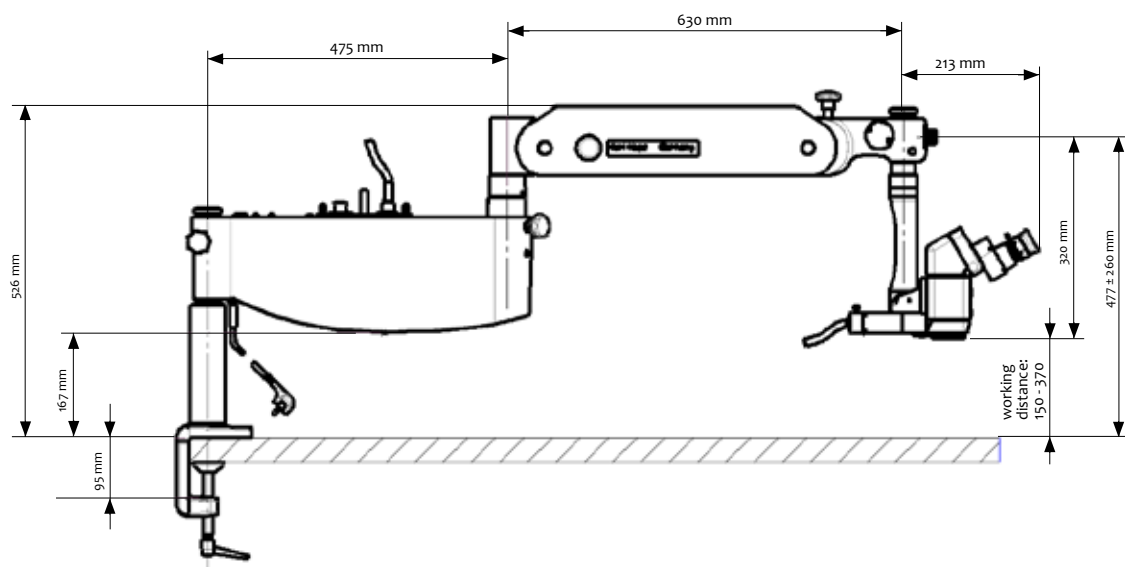
For space-saving and safe storage of the microscope when not in use.

Technical Data

Kaps SOM[®] 82

Illumination	Cold light illumination 15V / 150 W; LED-illumination integrated (option)
Magnification	3-step magnification changer, manual as standard, 5-step magnification changer, manual (on request), zoom 1:6, manual (on request)
Working distance / Objectives	f = 100 mm, f = 150 mm, f = 175 mm, f = 200 mm f = 250 mm, f = 300 mm, f = 350 mm, f = 400 mm
Fine focusing	12 mm with focusing-objective f = 200 mm, f = 250 mm and f = 300 mm, 40 mm manual
Binocular tubes	Straight tube f = 125 mm, inclined tube f = 125 mm 45° as standard, on request also straight tube f = 159 mm, inclined tube f = 159 mm 45° or wideangle swivel tube f = 182 mm o – 210°
Oculars	10x V, 12.5 x V or 20 x V
Filter	Green filter (other on request)

SOM[®] 82

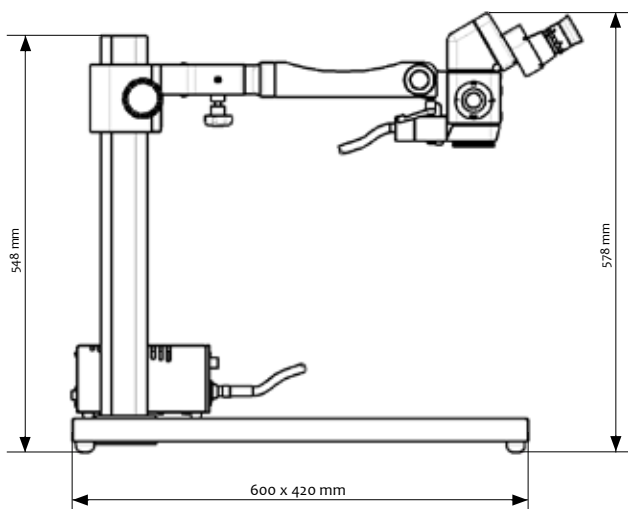


Technical Data

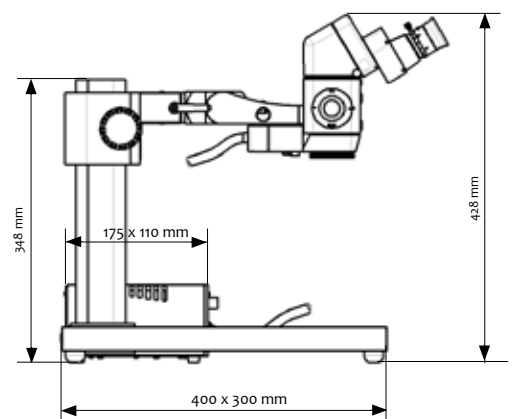
Kaps SLM 1 / SLM 2

Configuration	Column stand, stainless Base plate, scratch-free coated Microscope holder with adjustment ring
Illumination	LEDone
Magnification	3-step magnification changer, manual as standard, 5-step magnification changer, manual (on request)
Objectives	f = 150 mm, f = 200 mm
Focusin	manual fine focusing
Binocular tubes	Inclined tube f = 159 mm 60° as standard, on request also inclined tube f = 159 mm 45° or wideangle swivel tube f = 182 mm 0 - 210°
Ocular	10x V, 12.5 x V or 20 x V
Filter	Green filter (other on request)

SLM 1



SLM 2



Алматы (7273)495-231
Ангарск (3955)60-70-56
Архангельск (8182)63-90-72
Астрахань (8512)99-46-04
Барнаул (3852)73-04-60
Белгород (4722)40-23-64
Благовещенск (4162)22-76-07
Брянск (4832)59-03-52
Владивосток (423)249-28-31
Владикавказ (8672)28-90-48
Владимир (4922)49-43-18
Волгоград (844)278-03-48
Вологда (8172)26-41-59
Воронеж (473)204-51-73
Екатеринбург (343)384-55-89

Иваново (4932)77-34-06
Ижевск (3412)26-03-58
Иркутск (395)279-98-46
Казань (843)206-01-48
Калининград (4012)72-03-81
Калуга (4842)92-23-67
Кемерово (3842)65-04-62
Киров (8332)68-02-04
Коломна (4966)23-41-49
Кострома (4942)77-07-48
Краснодар (861)203-40-90
Красноярск (391)204-63-61
Курск (4712)77-13-04
Курган (3522)50-90-47
Липецк (4742)52-20-81

Магнитогорск (3519)55-03-13
Москва (495)268-04-70
Мурманск (8152)59-64-93
Набережные Челны (8552)20-53-41
Нижний Новгород (831)429-08-12
Новокузнецк (3843)20-46-81
Ноябрьск (3496)41-32-12
Новосибирск (383)227-86-73
Омск (3812)21-46-40
Орел (4862)44-53-42
Оренбург (3532)37-68-04
Пенза (8412)22-31-16
Петрозаводск (8142)55-98-37
Псков (8112)59-10-37

Пермь (342)205-81-47
Ростов-на-Дону (863)308-18-15
Рязань (4912)46-61-64
Самара (846)206-03-16
Саранск (8342)22-96-24
Санкт-Петербург (812)309-46-40
Саратов (845)249-38-78
Севастополь (8692)22-31-93
Симферополь (3652)67-13-56
Смоленск (4812)29-41-54
Сочи (862)225-72-31
Ставрополь (8652)20-65-13
Сургут (3462)77-98-35
Сыктывкар (8212)25-95-17
Тамбов (4752)50-40-97

Тверь (4822)63-31-35
Тольятти (8482)63-91-07
Томск (3822)98-41-53
Тула (4872)33-79-87
Тюмень (3452)66-21-18
Ульяновск (8422)24-23-59
Улан-Удэ (3012)59-97-51
Уфа (347)229-48-12
Хабаровск (4212)92-98-04
Чебоксары (8352)28-53-07
Челябинск (351)202-03-61
Череповец (8202)49-02-64
Чита (3022)38-34-83
Якутск (4112)23-90-97
Ярославль (4852)69-52-93

Россия +7(495)268-04-70

Казахстан +7(7172)727-132

Киргизия +996(312)96-26-47

www.karlkaps.nt-rt.ru | | ksj@nt-rt.ru